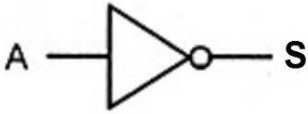
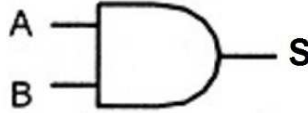
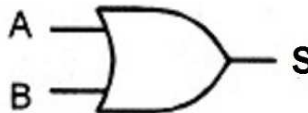
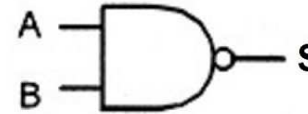





Função Lógica	Simbologia da Porta Lógica	Tabela Verdade	Expressão lógica															
NOT		<table border="1"> <thead> <tr> <th>A</th> <th>S</th> </tr> </thead> <tbody> <tr> <td>0</td> <td>1</td> </tr> <tr> <td>1</td> <td>0</td> </tr> </tbody> </table>	A	S	0	1	1	0	$S = \bar{A}$									
A	S																	
0	1																	
1	0																	
AND		<table border="1"> <thead> <tr> <th>A</th> <th>B</th> <th>S</th> </tr> </thead> <tbody> <tr> <td>0</td> <td>0</td> <td>0</td> </tr> <tr> <td>0</td> <td>1</td> <td>0</td> </tr> <tr> <td>1</td> <td>0</td> <td>0</td> </tr> <tr> <td>1</td> <td>1</td> <td>1</td> </tr> </tbody> </table>	A	B	S	0	0	0	0	1	0	1	0	0	1	1	1	$S = A \cdot B$
A	B	S																
0	0	0																
0	1	0																
1	0	0																
1	1	1																
OR		<table border="1"> <thead> <tr> <th>A</th> <th>B</th> <th>S</th> </tr> </thead> <tbody> <tr> <td>0</td> <td>0</td> <td>0</td> </tr> <tr> <td>0</td> <td>1</td> <td>1</td> </tr> <tr> <td>1</td> <td>0</td> <td>1</td> </tr> <tr> <td>1</td> <td>1</td> <td>1</td> </tr> </tbody> </table>	A	B	S	0	0	0	0	1	1	1	0	1	1	1	1	$S = A + B$
A	B	S																
0	0	0																
0	1	1																
1	0	1																
1	1	1																
NAND		<table border="1"> <thead> <tr> <th>A</th> <th>B</th> <th>S</th> </tr> </thead> <tbody> <tr> <td>0</td> <td>0</td> <td>1</td> </tr> <tr> <td>0</td> <td>1</td> <td>1</td> </tr> <tr> <td>1</td> <td>0</td> <td>1</td> </tr> <tr> <td>1</td> <td>1</td> <td>0</td> </tr> </tbody> </table>	A	B	S	0	0	1	0	1	1	1	0	1	1	1	0	$S = \overline{A \cdot B}$
A	B	S																
0	0	1																
0	1	1																
1	0	1																
1	1	0																
NOR		<table border="1"> <thead> <tr> <th>A</th> <th>B</th> <th>S</th> </tr> </thead> <tbody> <tr> <td>0</td> <td>0</td> <td>1</td> </tr> <tr> <td>0</td> <td>1</td> <td>0</td> </tr> <tr> <td>1</td> <td>0</td> <td>0</td> </tr> <tr> <td>1</td> <td>1</td> <td>0</td> </tr> </tbody> </table>	A	B	S	0	0	1	0	1	0	1	0	0	1	1	0	$S = \overline{A + B}$
A	B	S																
0	0	1																
0	1	0																
1	0	0																
1	1	0																
XOR		<table border="1"> <thead> <tr> <th>A</th> <th>B</th> <th>S</th> </tr> </thead> <tbody> <tr> <td>0</td> <td>0</td> <td>0</td> </tr> <tr> <td>0</td> <td>1</td> <td>1</td> </tr> <tr> <td>1</td> <td>0</td> <td>1</td> </tr> <tr> <td>1</td> <td>1</td> <td>0</td> </tr> </tbody> </table>	A	B	S	0	0	0	0	1	1	1	0	1	1	1	0	$S = \bar{A} \cdot B + A \cdot \bar{B}$ representada por : $S = A \oplus B$
A	B	S																
0	0	0																
0	1	1																
1	0	1																
1	1	0																
X-NOR		<table border="1"> <thead> <tr> <th>A</th> <th>B</th> <th>S</th> </tr> </thead> <tbody> <tr> <td>0</td> <td>0</td> <td>1</td> </tr> <tr> <td>0</td> <td>1</td> <td>0</td> </tr> <tr> <td>1</td> <td>0</td> <td>0</td> </tr> <tr> <td>1</td> <td>1</td> <td>1</td> </tr> </tbody> </table>	A	B	S	0	0	1	0	1	0	1	0	0	1	1	1	$S = A \cdot B + \bar{A} \cdot \bar{B}$ representada por : $S = A \odot B$
A	B	S																
0	0	1																
0	1	0																
1	0	0																
1	1	1																